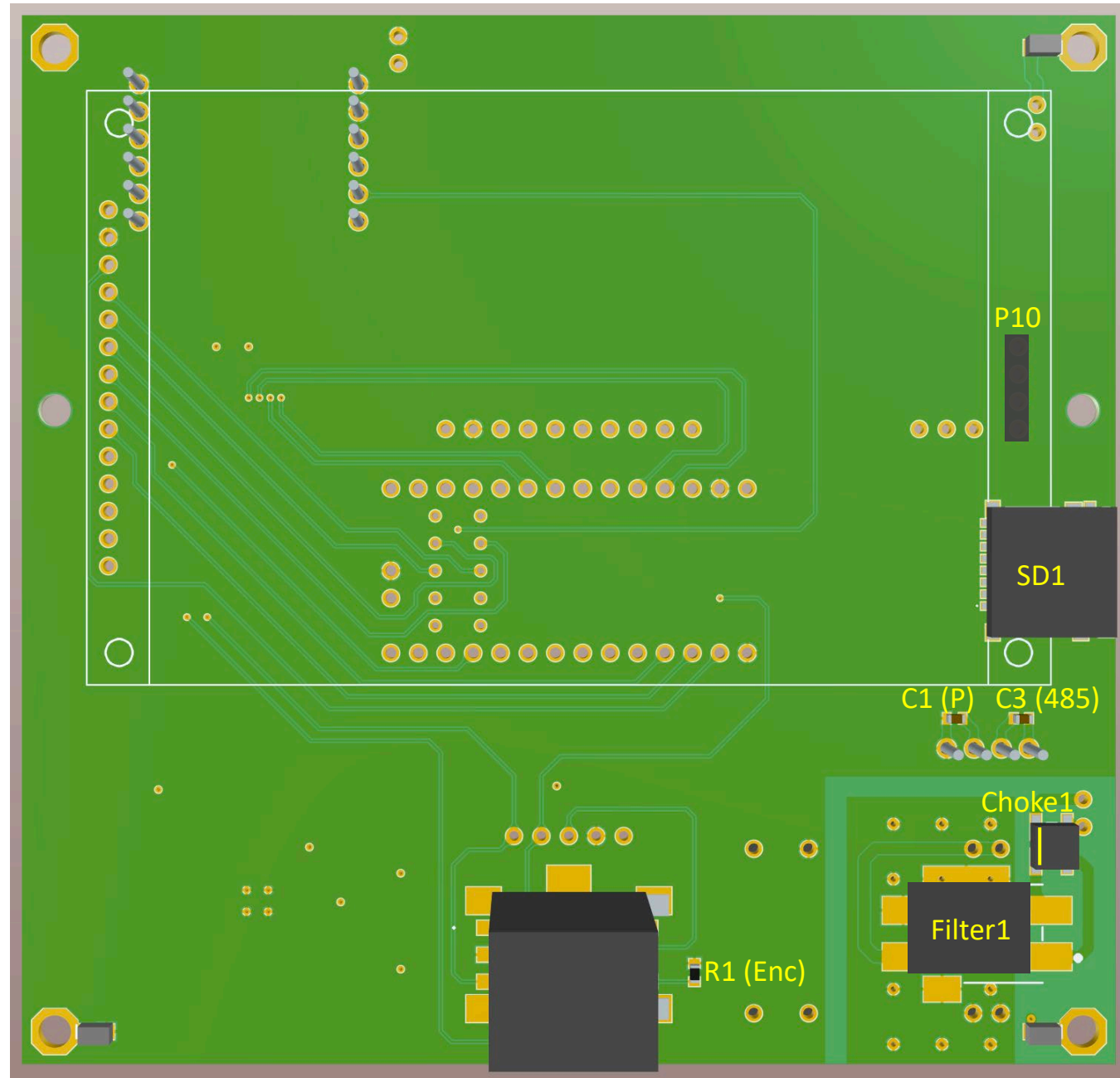
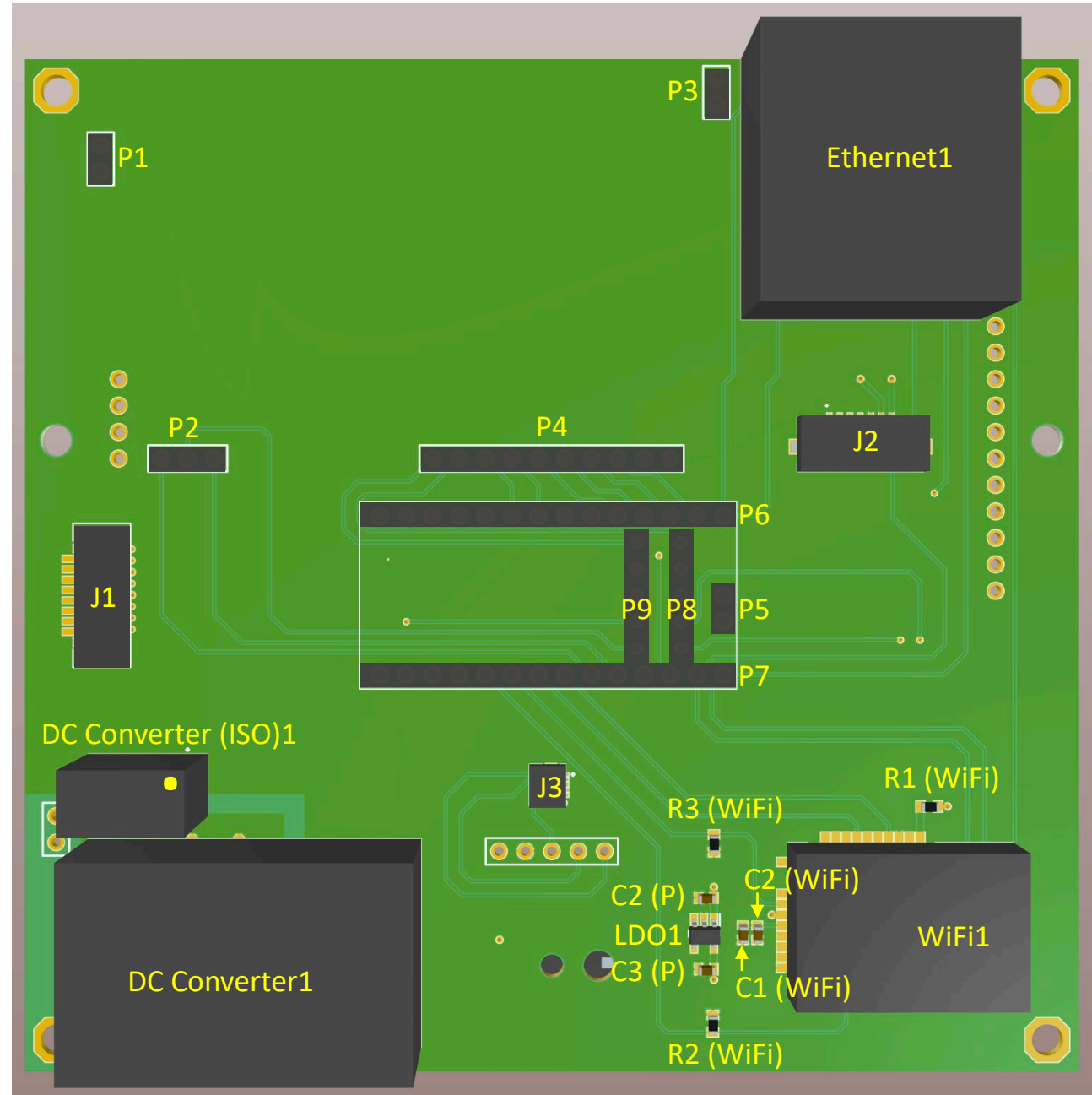


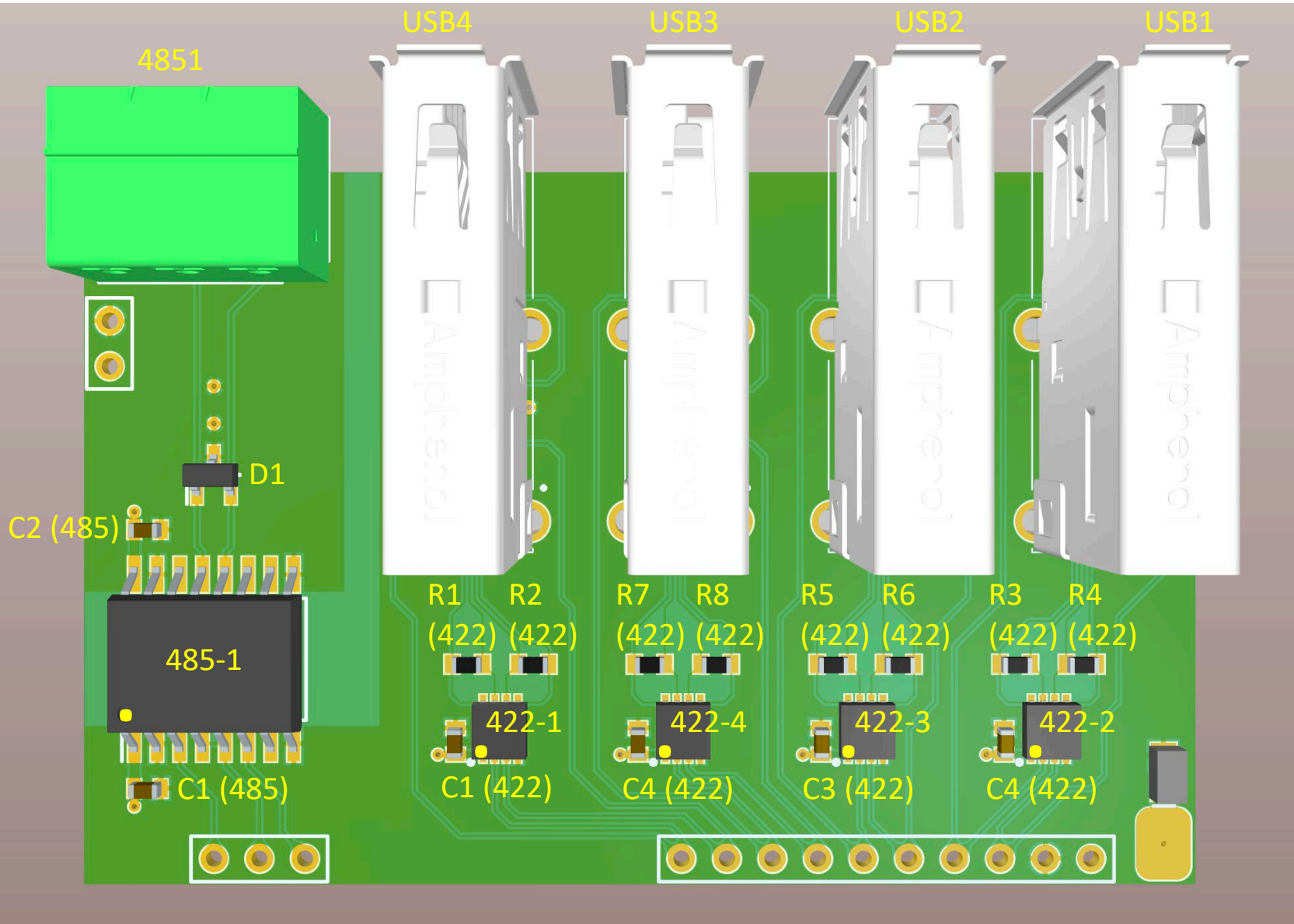
PCB 1 - Top



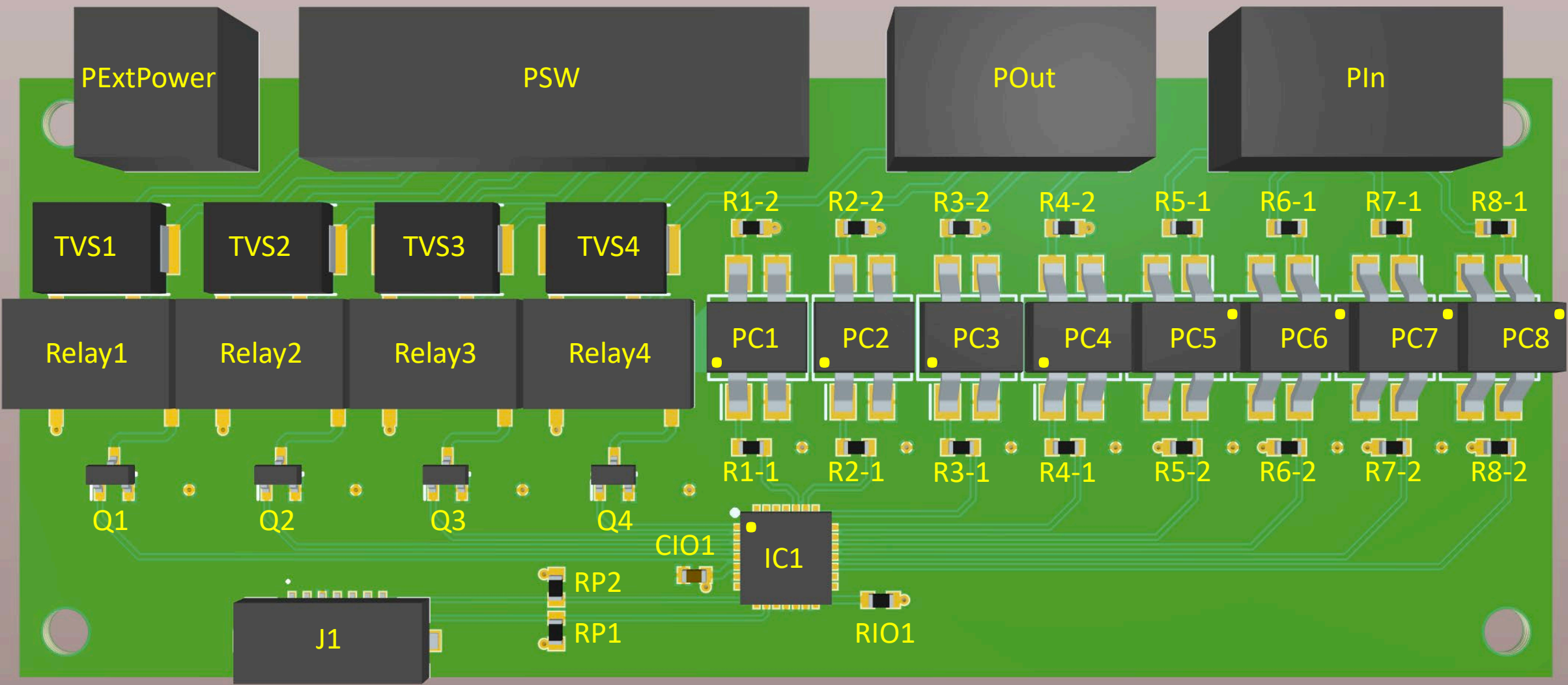
PCB 1 - Bottom



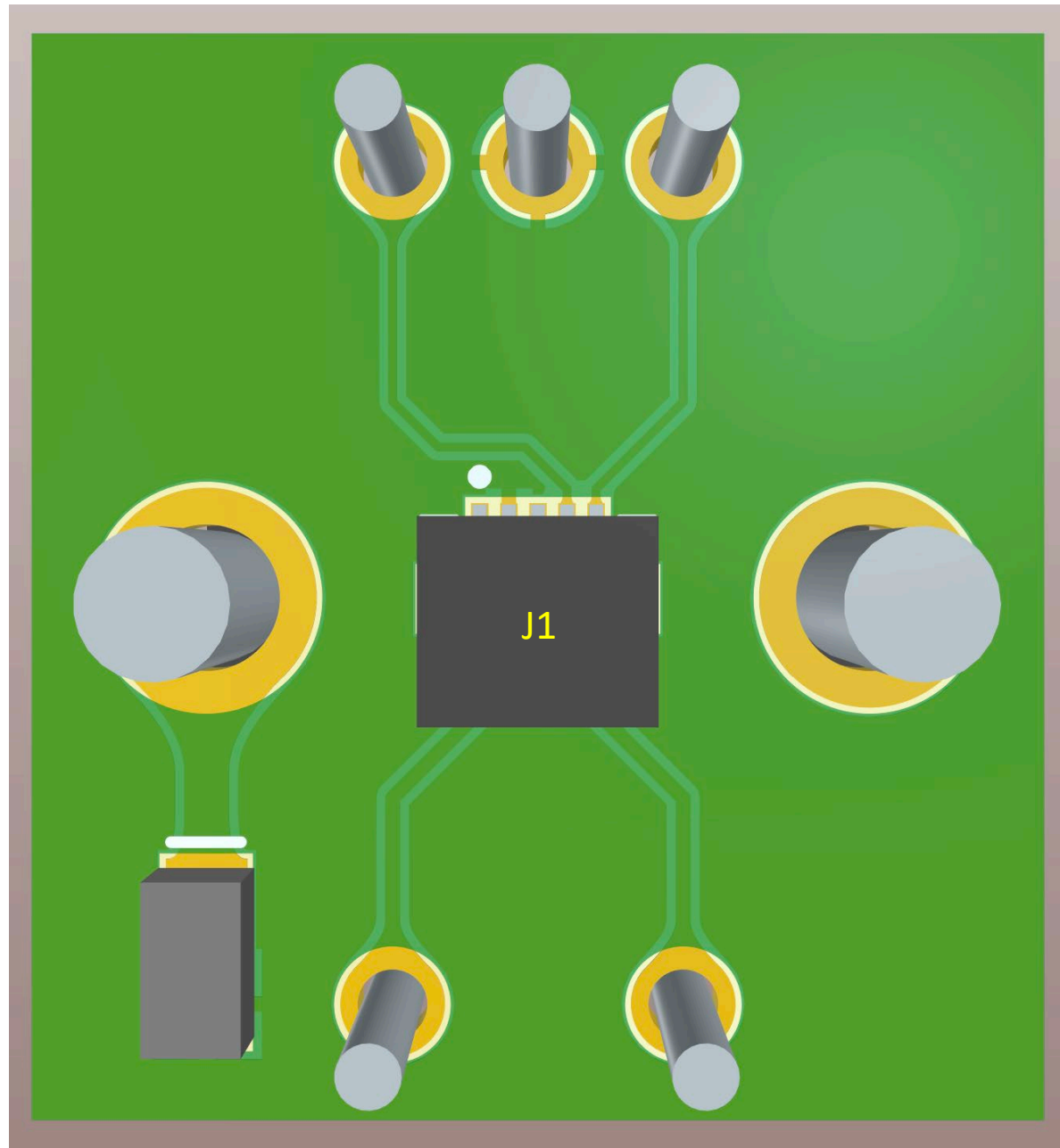
PCB 2 - Bottom



PCB 3 - Top



PCB 4 - Top



PCB 4 - Bottom

