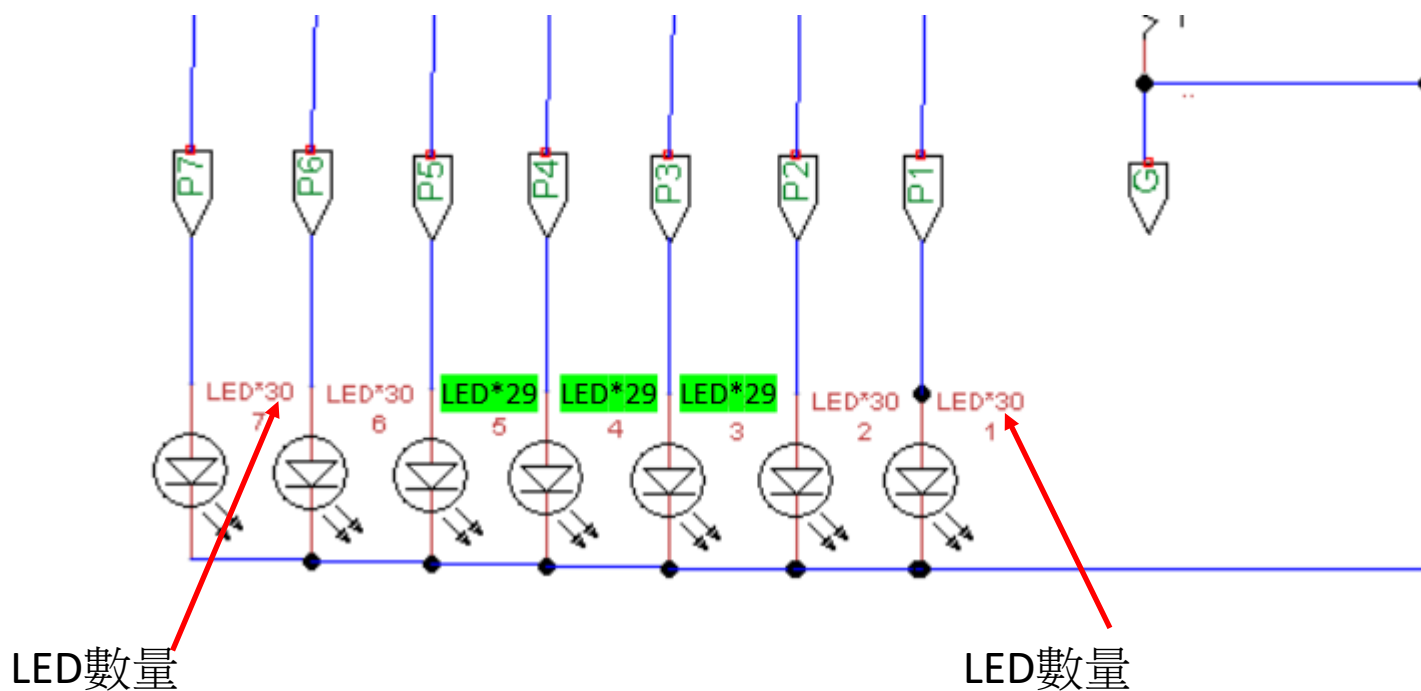


# LED/電阻 PCB電路板

115/04/10

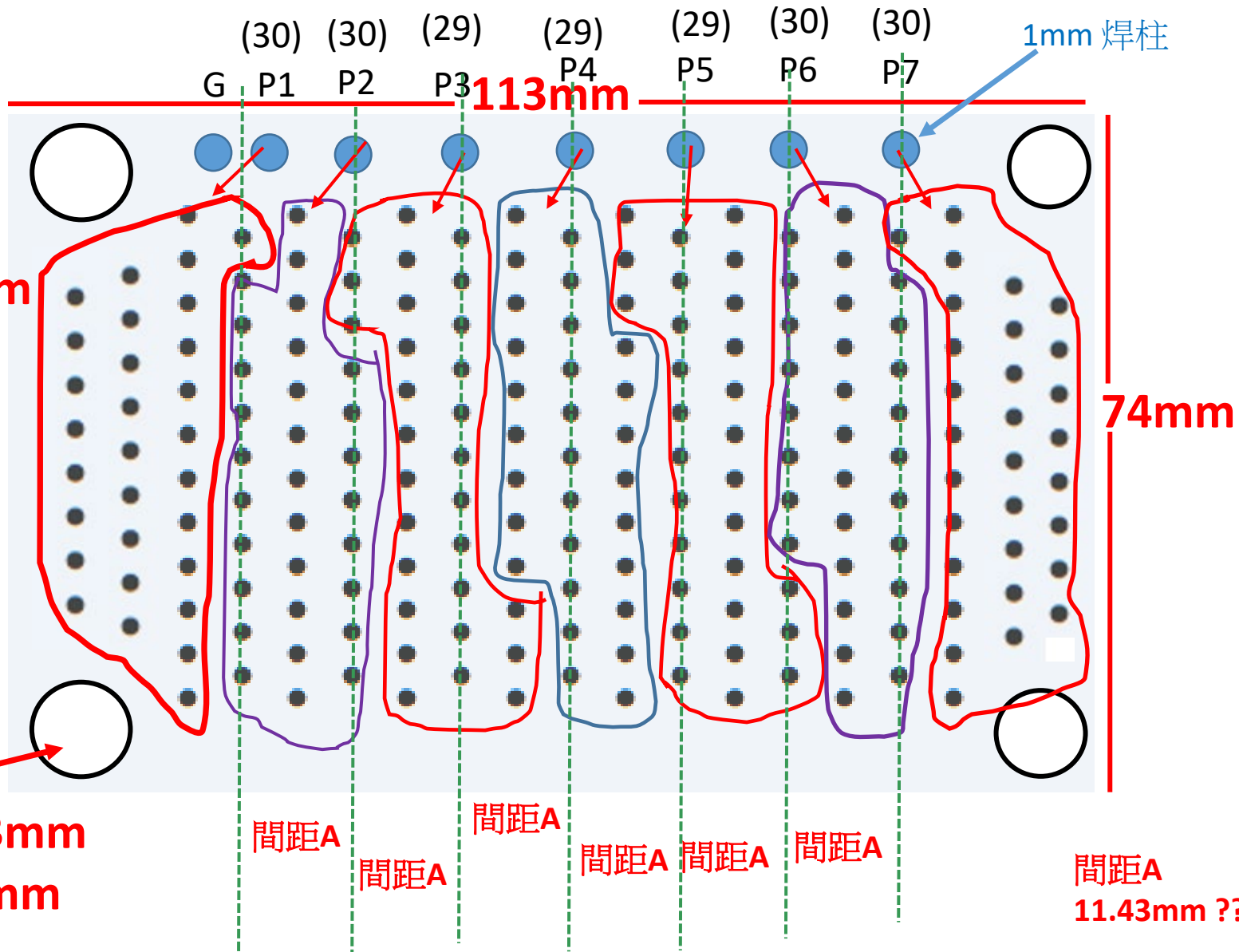
# LED 板 schematic

LED 型號：7383/R7C3-ASUB(AES)  
(EVERLUGHT)



# LED板 元件位置示意圖

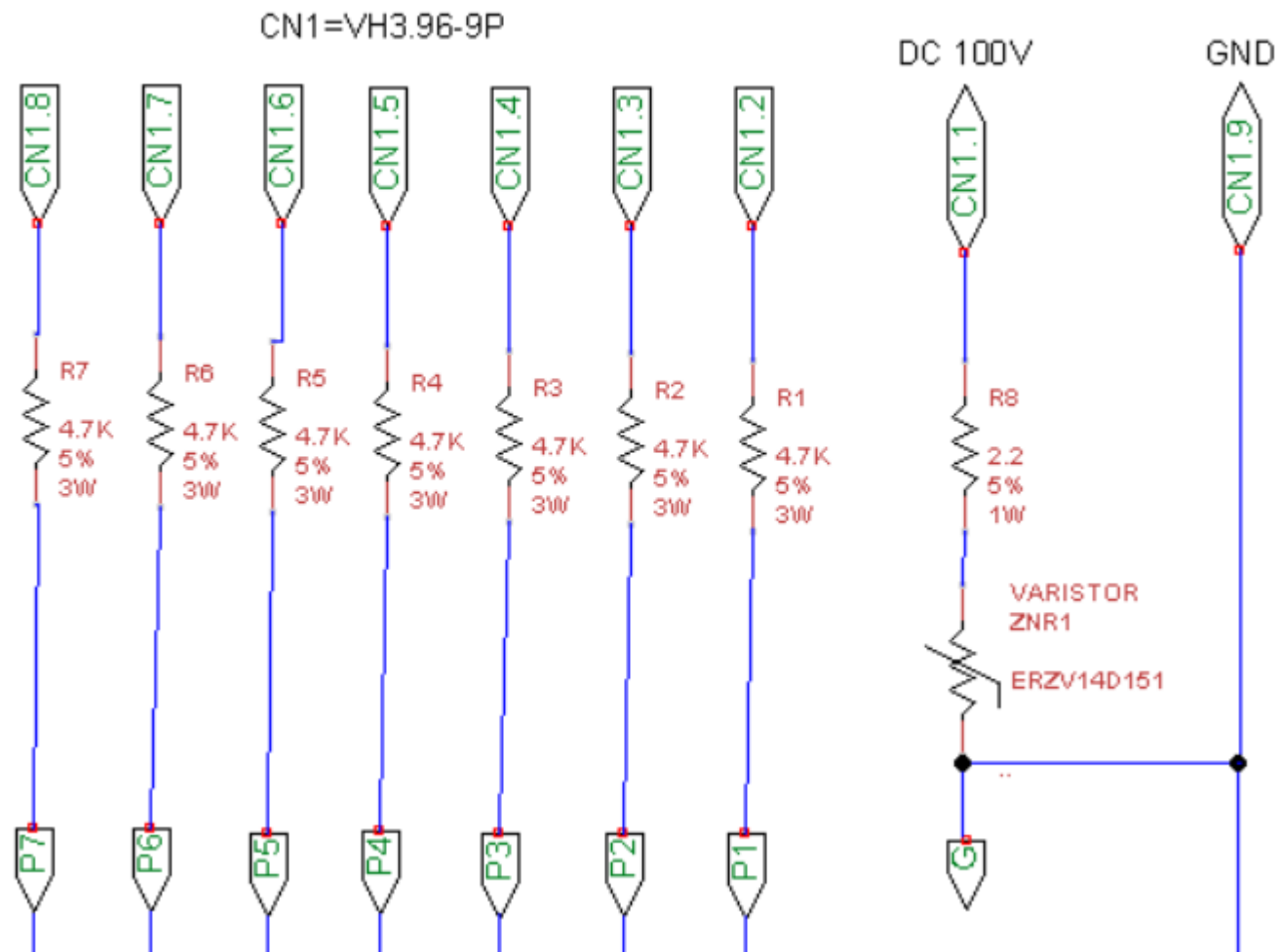
板厚  
1.6mm  
尺寸：  
113 X 74 mm



直徑：13mm  
板邊：2mm

# 電阻板 schematic

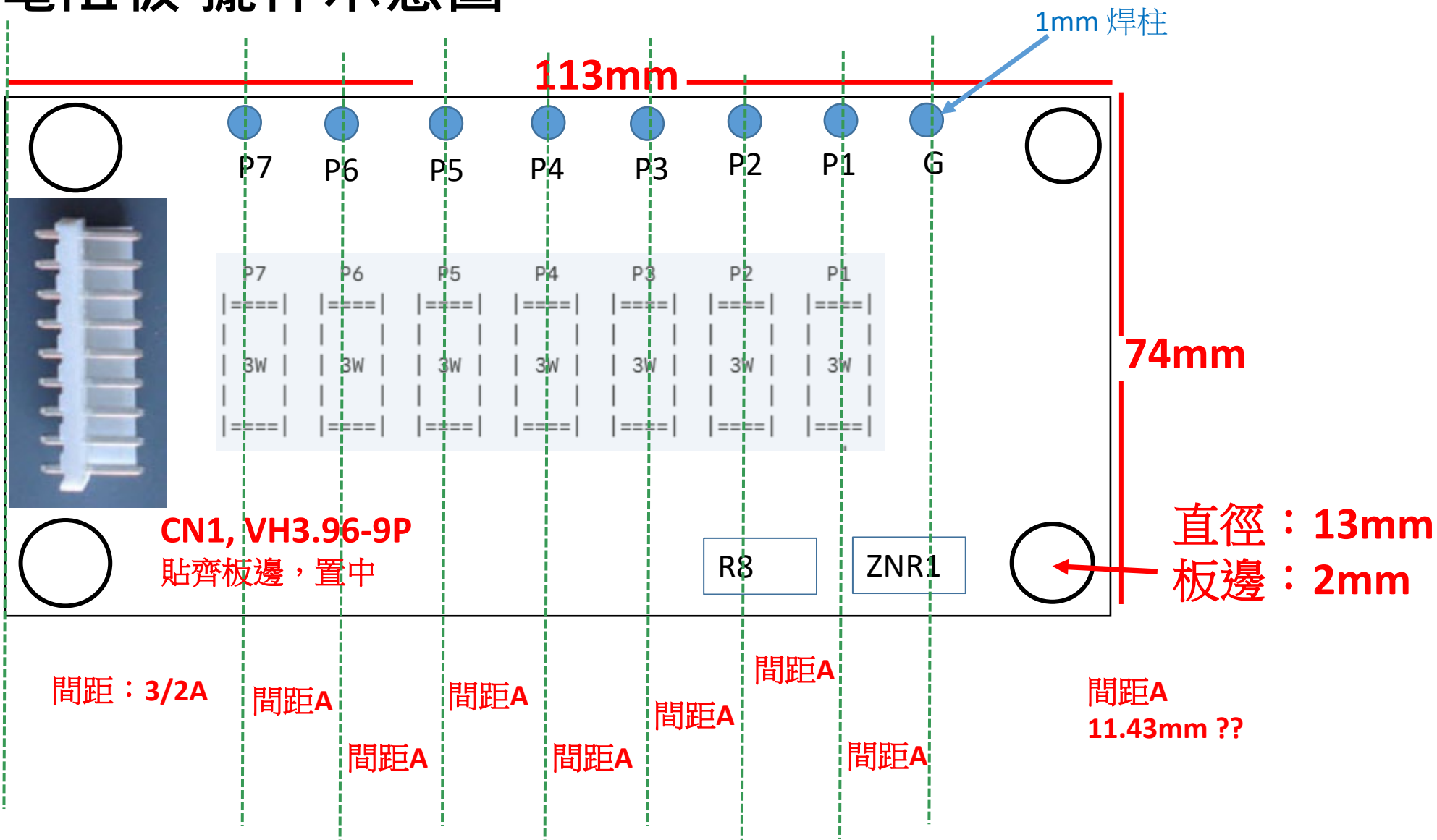
R1 ~ R7 :  
RSF3WSJT-73-4K7



# 電阻板 擺件示意圖

板厚  
1.6mm

1,2,3,4,5,6,7,8,9

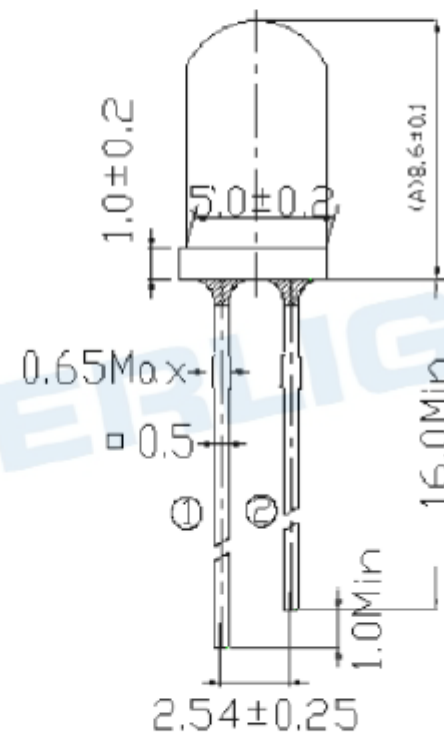
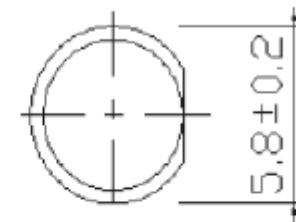




# APPENDIX

Package Dimension

# LED 7383/R7C3-ASUB(AES)



① Anode  
② Cathode

# "ZNR" Transient/Surge Absorbers (Type D)

Part No.	Applicable Standards		Varistor Voltage* (V)	Maximum Allowable Voltage		Clamping Voltage at 8/20μs		Maximum Peak Current at 8/20μs(A)		Recommended Applications
	Type Name	Approvals		ACrms (V)	DC (V)	max.(V)	I <sub>p</sub> (A)	1 time	2 times	
ERZV05D151	V151U	○☆◇	150 (135 to 165)	95	125	260	5	800	600	Telephone, Communication Line (DC 48 V)
ERZV07D151	V7151U	○☆◇				250	10	1750	1250	
ERZV09D151	V9151U	○☆◇				250	25	3500	2500	
ERZV10D151	V10151U	○☆◇				250	25	3500	2500	
ERZV14D151	V14151U	○☆◇				250	50	6000	5000	
ERZV20D151	V20151U	○☆◇				250	100	10000	7000	